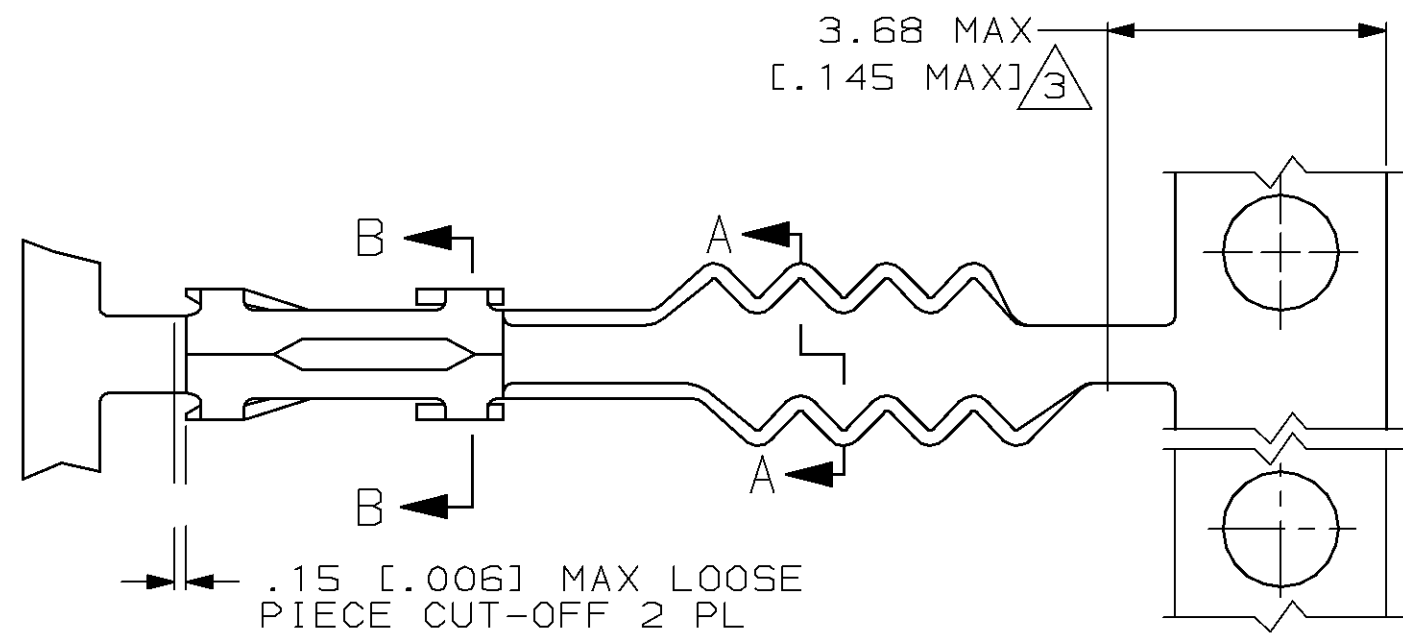
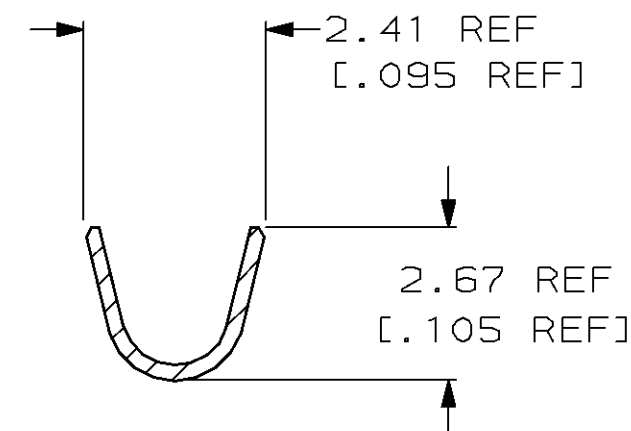
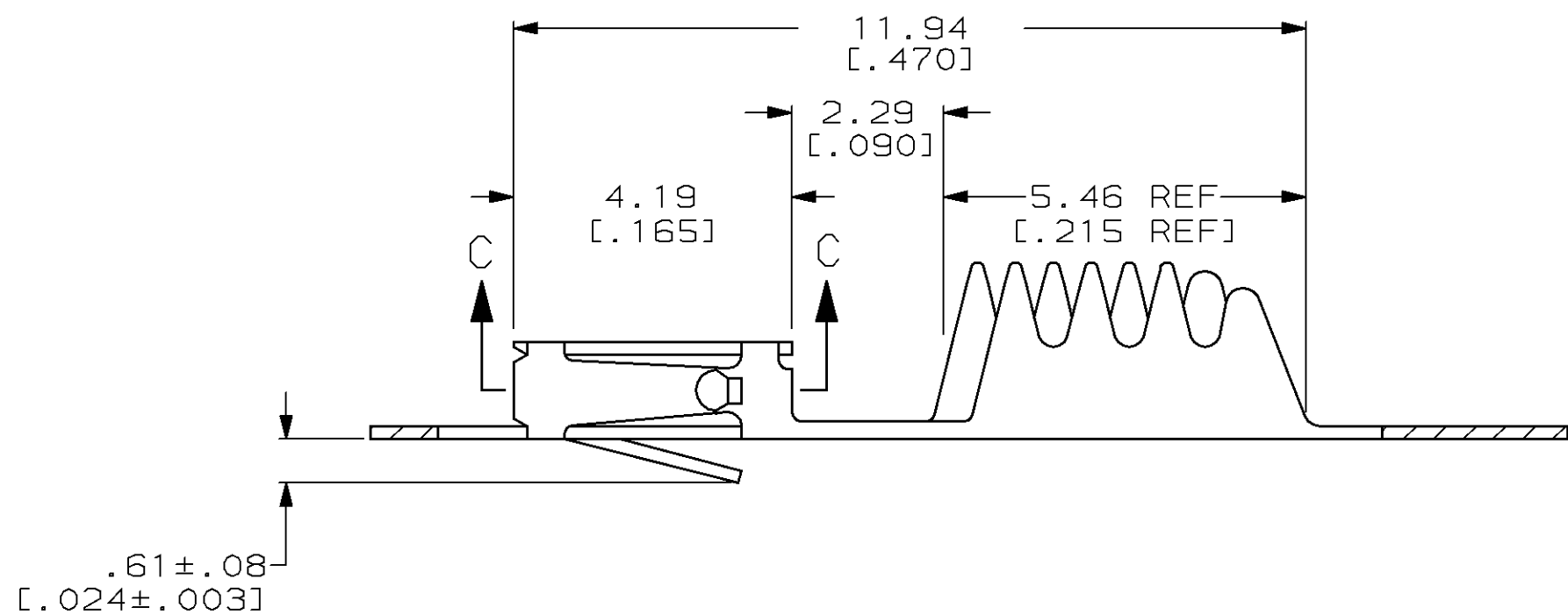


THIS DRAWING IS UNPUBLISHED. RELEASED FOR PUBLICATION  
 © COPYRIGHT 19 BY AMP INCORPORATED. ALL RIGHTS RESERVED.

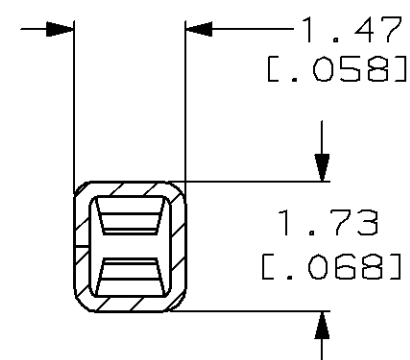
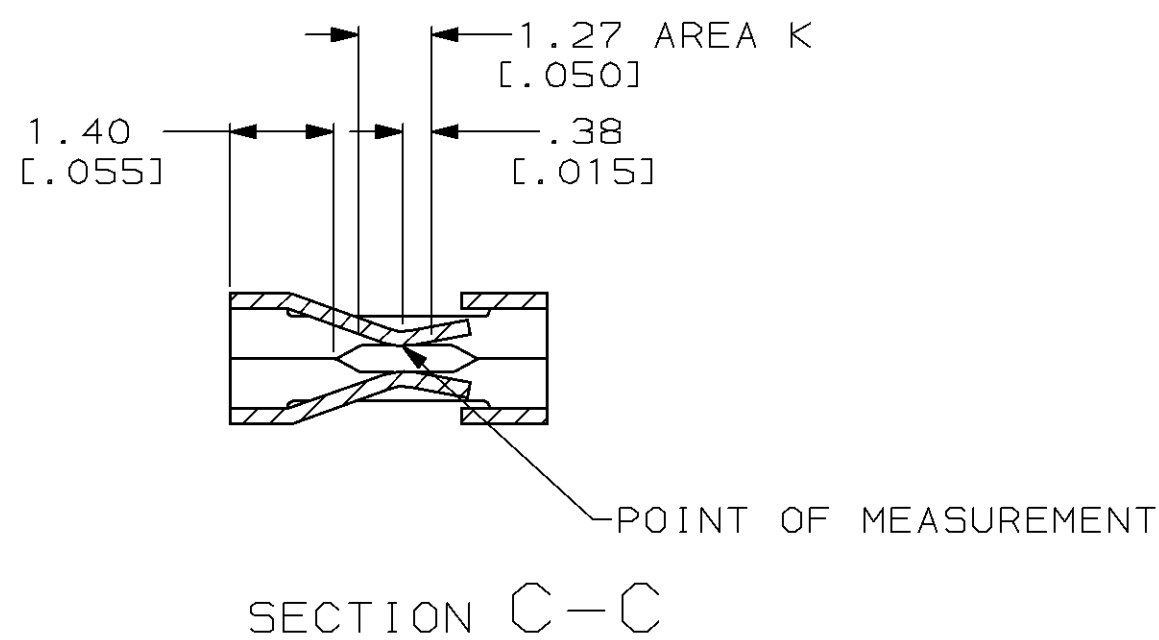
| LOC |     | DIST        |                              | REVISIONS |      |    |  |
|-----|-----|-------------|------------------------------|-----------|------|----|--|
| P   | LTR | DESCRIPTION | DATE                         | DWN       | APVD |    |  |
| AD  | 39  | H           | REV & REDWN PER 0010-0309-96 | 31DEC96   | JH   | JH |  |



- ① FINISH: .000050-.000150 PREPLATED BRIGHT TIN.
- ② LUBRICATED
- ③ .000030 GOLD IN AREA K, GOLD FLASH ON THE REMAINDER, OVER .000050 NICKEL.
- ⑤ REELED FOR MINI APPLICATOR.



SECTION A-A  
 INS. RANGE .055 MAX



SECTION B-B

|        |            |
|--------|------------|
| ③      | 102169-5   |
| ① ②    | 102169-1   |
| FINISH | PART NO. ⑤ |

|  |  |                                  |  |                        |
|--|--|----------------------------------|--|------------------------|
| <small>THIS DRAWING IS A CONTROLLED DOCUMENT FOR AMP INCORPORATED. IT IS SUBJECT TO CHANGE AND THE CONTROLLING ENGINEERING ORGANIZATION SHOULD BE CONTACTED FOR THE LATEST REVISION.</small> |  | DWN<br>J. HERRINGTON<br>31DEC96  | <b>AMP</b> AMP Incorporated<br>Harrisburg, PA 17105-3608                     |                        |
| DIMENSIONS:<br>MM (IN)   |  | CHK<br>J. HERRINGTON<br>31DEC96  | NAME<br>RECEPTACLE CONTACT, MOD IV,<br>CRIMP-SNAP-IN,<br>INSULATION PIERCING |                        |
| TOLERANCES UNLESS OTHERWISE SPECIFIED:<br>0 PLC ±-<br>1 PLC ±-<br>2 PLC ±-<br>3 PLC ±-<br>4 PLC ±-<br>ANGLES ±-  |  | APVD<br>J. HERRINGTON<br>31DEC96 | PRODUCT SPEC<br>108-25020  | DRAWING NO<br>C=102169 |
| MATERIAL<br>PHOS BRONZE  |  | FINISH<br>SEE TABLE              | WEIGHT<br>-  | SIZE<br>A2             |
|  |  | CUSTOMER DRAWING                 | CAGE CODE<br>00779   | SCALE<br>NTS           |
|  |  |                                  | SHEET<br>1 OF 1  | REV<br>H               |

102169